

LIMITED WARRANTY

To the consumer, Guardian Technologies LLC warrants this product to be free of defects in materials or workmanship commencing upon the date of the original purchase. Save your original sales receipt to validate start of warranty period. Warranty is not valid without receipt.

If this product should become defective within the warranty period, we will repair or replace any defective parts free of charge. All warranty repairs must be completed by Guardian Technologies LLC. This warranty **does not cover unauthorized repairs**. The warranty does not include unusual wear, damage resulting from accident, or unreasonable use of the product. This warranty only covers the product when used with **genuine Guardian Technologies accessories**. This warranty covers product that was purchased from authorized distributors. This warranty gives you specific legal rights and you may also have other rights (other rights may vary from state to state in the U.S.A.)

The product warranty registration can be completed online at www.guardiantechnologies.com. We consider the registration process important to ensuring superior service to our customers, however submitting the warranty registration is optional and does not affect your rights to utilize this warranty according to the conditions stated above. To submit product under warranty the complete machine must be delivered pre-paid to Guardian Technologies LLC. Please include complete information including: the problem, the model number of the product, the day of purchase, and a copy of the original sales receipt along with your name, address, and telephone (email optional). Address returns to the attention of: Customer Service, at the address below. Additional questions or comments can be made toll free to the number listed below.

**Guardian Technologies LLC
26251 Bluestone Blvd.
Euclid, Ohio 44132
1.866.603.5900
www.guardiantechnologies.com**

Additional copies of the instruction manual can be obtained by accessing and printing directly from our website or calling customer service.

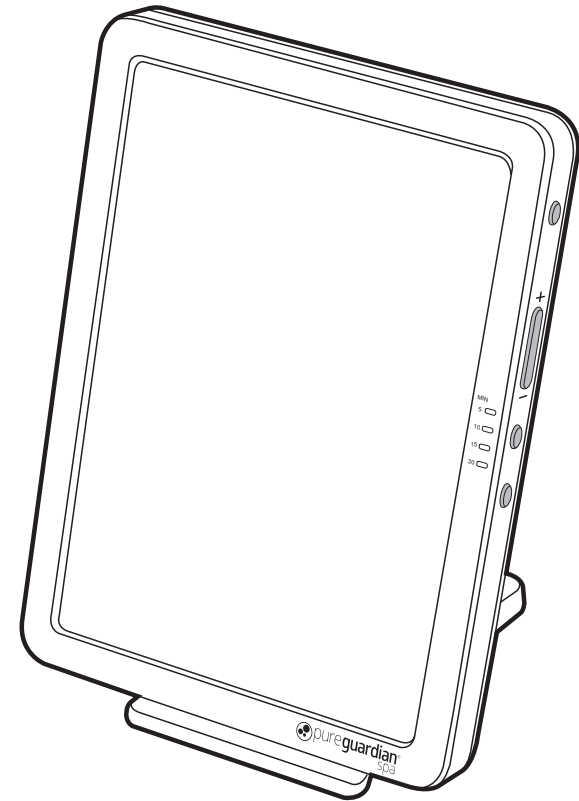


Guardian Technologies LLC
26251 Bluestone Blvd. • Euclid, OH 44132
1.866.603.5900 • www.guardiantechnologies.com

©2016 Guardian Technologies LLC



USE & CARE INSTRUCTIONS



Energy Light

Model No. SPA50
1-Year Limited Warranty
www.guardiantechnologies.com
1.866.603.5900
REV1116

English E - 1
French F - 1
Spanish S - 1

Date Purchased
month _____
year _____

READ AND SAVE THESE INSTRUCTIONS

WARNINGS

Failure to comply with the warnings listed below may result in electric shock or serious injury.



This product should be used only in accordance with the specifications outlined in this manual. Usage other than what has been specified here may result in serious injury.

Warnings (a warning indicates the possibility of injury to the user or operator)

- Water and electricity are a dangerous combination. Do not use this appliance in wet surroundings (e.g. in the bathroom or near a shower or swimming pool). Do not immerse appliance in water or any other liquid.
- Clean only with a soft, dry cloth – Do not use solvents or cleaners containing abrasives or ammonia.
- Check if the voltage indicated on the appliance corresponds to the local voltage before you connect the appliance.
- The adapter contains a transformer. Do not cut off the adapter to replace it with another plug, as this causes a hazardous situation.
- Never use the adapter if it is damaged in any way. Always have the adapter replaced with one of the original type in order to avoid a hazard.
- Never open the appliance to prevent electric shock, finger burns or temporary black spots in the eye.
- If the power cord is damaged, do not use the appliance.
- Close supervision is necessary when this appliance is used by, or near children or invalids.
- Children should be supervised to ensure that they do not play with the appliance.
- There are no user serviceable parts inside the appliance. No modification of this appliance is allowed.
- Never use the appliance if the lamp housing or cover is damaged, broken or missing.
- Do not use the appliance where the light may compromise you or other people's ability to perform essential tasks, such as driving or operating heavy equipment.
- Do not use this appliance in the presence of a flammable anesthetic mixture with air, oxygen or nitrous oxide.
- Consult your doctor before you starting using if:
 - You suffer or have suffered from severe depression;
 - You have an eye condition for which our physician advised you to avoid bright light;
 - You are on specific medication (i.e. certain antidepressants, psychotropic drugs or malaria tablets)

WARNING: This product contains chemicals known to the State of California to cause cancer and birth defects or other reproductive harm. Wash hands after using. (California Code of Regulations Prop 65).

READ AND SAVE THESE INSTRUCTIONS

CAUTION

Caution (a caution indicates the possibility of damage to the appliance)

- Always unplug the appliance after use.
- Do not use the appliance outdoors or near heated surfaces or heat sources.
- Place the appliance on a stable, level and non-slippery surface with the stand in place.
- Do not place any object on top of appliance, adapter or cord.
- When unplugging the appliance, grasp the plug directly to avoid damaging the cord. Never pull on the power cord to remove the plug from the outlet.
- Use this appliance for its intended household use as described in this manual.
- If this appliance is damaged in any way or it is not working it should not be operated.

Do not use this device if:

- You have bipolar disorder
- You are hypersensitive to light and/or experience eye discomfort
- You have had recent eye surgery or a diagnosed eye condition for which your physician advised you to avoid bright light. Or if you have a history of eye disease including, but not limited to, cataracts or macular degeneration.
- You are using any medication that might increase your sensitivity to light (e.g. certain antidepressants, psychotropic drugs or malaria tablets)

If any of the above conditions apply to you, always consult your physician before you start using the device.

Possible Reactions

Possible adverse reactions to light from this device are relatively mild and of a transient nature.

They may include: • Headache • Eyestrain • Nausea

Measures to avoid, minimize or alleviate these adverse reactions:

- Always use the device in a well-lit room.
- Reduce the light intensity if these reactions occur.
- Stop using the device for a few days to make the reactions disappear and then try again.

Intended Use

The Guardian Technologies Energy Light is intended to make people feel more energetic, adjust circadian rhythm, and to provide mood relief from the winter blues.

How Light Influences the Body

Many people suffer from diminished amounts of energy during the winter months, this may be due to the lack of sunlight that you experience. These same side effects can be experienced in normal business environments that have low lighting. Light and its intensity stimulate the receptors in our eyes which can affect how we feel. Bright lights have been used successfully in providing relief for seasonal mood swings.

The Energy Light is an effective alternative to make up for the lack of light that you might experience in day to day life. The device emits bright light to simulate natural sunlight without all of the harmful UV rays.

Duration and Intensity

The National Institute of Health have demonstrated that exposure to white light in the range of 2,500 to 10,000 LUX have helped to reverse the symptoms of "Winter Blues". Exposure time will vary depending on the person. Typical exposure is from 15 minutes to 30 minutes, once or twice a day, depending on individual needs and the intensity and color light selected on the therapy light. The average length of a session of 10,000 lux illumination (white light/high intensity) can be, for example, a much shorter time than for 2,500 lux (blue light/medium intensity). It is recommended to use the device on a regular bases at a consistent time and distance. The user can select between the higher intensity white or lower intensity blue options depending on preference.

When to Use

Depending on when you need the energy boost it might be beneficial to use it at different times. Many people respond best first thing upon awakening. Some, however, do better with evening light. It is necessary to determine the optimum time of day for each individual. It is recommended not to use the light within an hour of going to bed.

PRODUCT SPECIFICATIONS AND PARTS

SPECIFICATIONS

MODEL NUMBER: SPA50

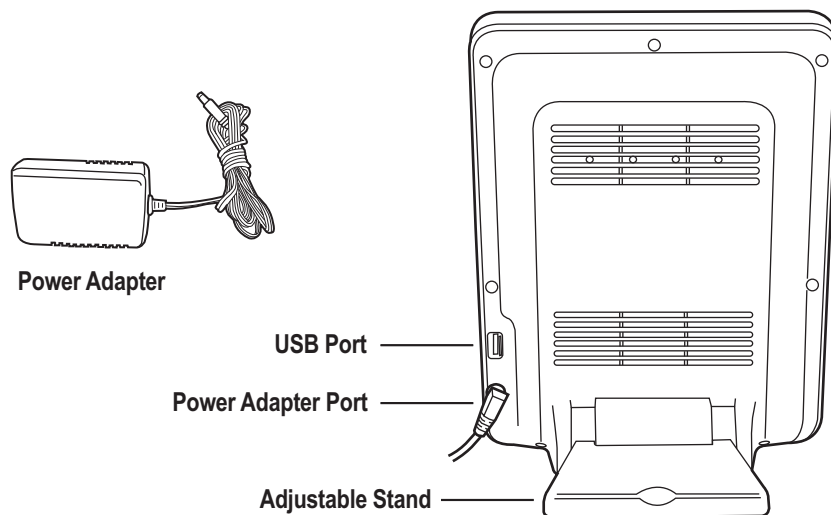
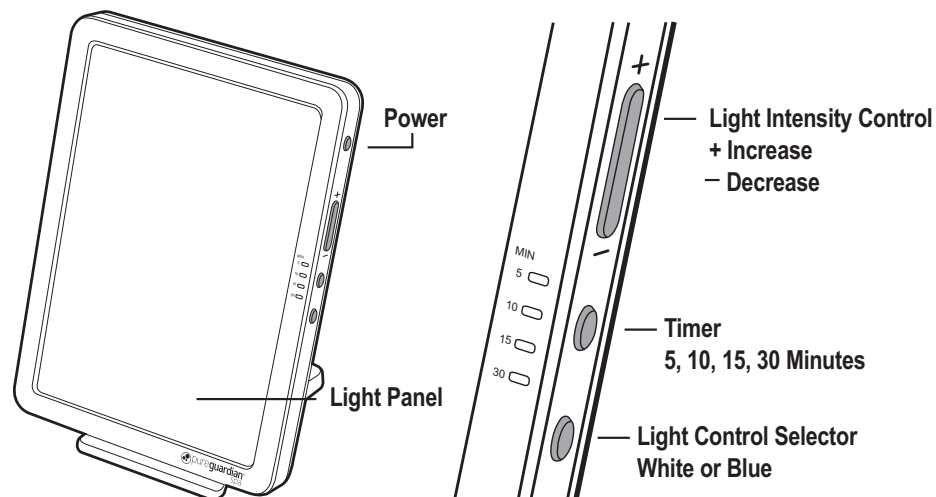
DIMENSIONS: 5.125" L x 6.75" W x 9.5" H (working position)

WEIGHT: Unit - 1.28 lbs. Adaptor - 0.35 lbs

INPUT VOLTAGE: 120V 60Hz 0.2A

USB OUTPUT: DC 5V MAX. 1.5A

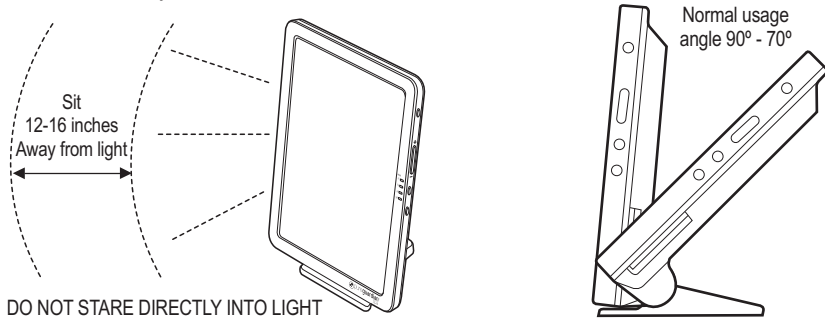
LIGHT OUTPUT: White Light 100% Intensity: 10,000 LUX at 7" distance
Blue Light 100% Intensity: 4,500 LUX at 7" distance



INSTRUCTIONS

SET-UP

1. Place the device on a solid surface.
2. Insert the power adapter into the port of the device.
3. Insert the power adapter into an electrical outlet.
4. Placement of the device should be 12-16" away. Adjust the stand at an angle between approximately 90 and 70 degrees.
5. Orient the head and body toward the light. Concentrate on the activities illuminated by the lights (e.g. reading, eating, and computer work) and not on the light itself.
DO NOT STARE DIRECTLY INTO THE LIGHT OF THE DEVICE.
 To minimize eyestrain make sure the room is well-lit.



USAGE

1. Turn on the device by pressing the power control.
2. Select brightness intensity. There are 3 intensity levels depending on preference.
 - a. Press "+" to increase intensity.
 - b. Press "-" to decrease intensity.
3. Select length of time for session. Push "Timer" control button to toggle between 5, 10, 15 or 30 minutes. Device automatically turns off after selected time. Default time is 5 minutes if no time is selected.
4. Select color. Push "White/Blue" control button and select based on preference. White 2,550-10,000 lux. Blue tint provides range of 1,400-3,750 lux.
5. A USB port is built-in for your convenience to charge other devices while using the energy light.

Cleaning

Clean only with a soft dry-cloth. Never use scouring pads, aggressive liquids, or cleaning agents that contain abrasives or ammonia.

Never immerse the device in water or any other liquid, nor rinse it under the tap.

Storage

If the appliance will not be used for an extended period of time, remove the cord, fold in the base and store in a safe, dry location where it will not be subject to damage.

Disposal

- Dispose of the device in accordance with local regulations.
- Your local or national recycling organizations may also have disposal information.

FAQ's

Question	Answer
Can I get sunburn from using the device?	No, this device does not emit any UV light so it cannot cause sunburn.
Do I have to remove my glasses when I use the device?	No, glasses that are not tinted will not impact the effectiveness of the device.
Can the light harm children or pets?	No, the light is safe to be around children and pets but do not let children play with the device.
When will I start to notice improvement from using the device?	You might experience the energizing effects from the first day or 1 to 2 weeks of daily use.
Can the lamp of the light be replaced?	No, the device uses a durable LED lamp that lasts many years and is not replaceable.

More FAQ's can be found at www.guardiantechnologies.com

TROUBLESHOOTING GUIDE

PROBLEM	SOLUTION
Unit does not operate or shuts off unexpectedly.	<p>Check that the power cord is plugged into the unit.</p> <p>Check that the power cord is plugged into a working electrical outlet.</p> <p>Check that the power button is on.</p> <p>Check that the timer has not turned the unit off.</p> <p>Call Customer Service 1.866.603.5900</p>

FC This device complies with Part 15 of the FCC Rules. Operation is subject to the following two conditions: (1) this device may not cause harmful interference, and (2) this device must accept any interference received, including interference that may cause undesired operation. Changes or modifications not expressly approved by the party responsible for compliance could void the user's authority to operate the equipment.

NOTE: This equipment has been tested and found to comply with the limits for a Class B digital device, pursuant to Part 15 of the FCC Rules. These limits are designed to provide reasonable protection against harmful interference in a residential installation. This equipment generates, uses and can radiate radio frequency energy and, if not installed and used in accordance with the instructions, may cause harmful interference to radio communications. However, there is no guarantee that interference will not occur in a particular installation. If this equipment does cause harmful interference to radio or television reception, which can be determined by turning the equipment off and on, the user is encouraged to try to correct the interference by one or more of the following measures:

- Reorient or relocate the receiving antenna.
- Increase the separation between the equipment and receiver.
- Connect the equipment into an outlet on a circuit different from that to which the receiver is connected.
- Consult the dealer or an experienced radio/TV technician for help.

This Class B digital apparatus complies with the Canadian ICES-003.

GARANTIE LIMITÉE

Guardian Technologies LLC garantit au consommateur que cet appareil est exempt de défauts matériels ou de fabrication, à partir de la date d'achat originale. Veuillez garder votre reçu de vente original pour justifier la date d'entrée en vigueur de la période de garantie. Sans reçu, la garantie devient nulle et non avenue.

Si cet appareil s'avère défectueux pendant la période de garantie, nous réparerons ou remplacerons toutes les pièces défectueuses gratuitement. Toute réparation couverte par la présente garantie doit être effectuée par Guardian Technologies LLC. La présente garantie **ne couvre pas les réparations non autorisées**. La présente garantie ne couvre pas l'usure inhabituelle et les dommages causés par accident ou par une utilisation déraisonnable de l'appareil. La présente garantie ne couvre l'appareil que s'il est utilisé conjointement à des accessoires d'origine de Guardian Technologies. La garantie de ce produit sera annulée si toute pièce non originale a été installée ou utilisée. La garantie couvre uniquement un appareil acheté auprès de distributeurs agréés. La présente garantie vous donne certains droits juridiques. Vous pouvez également bénéficier d'autres droits (les droits peuvent varier d'un État à l'autre aux États-Unis).

L'enregistrement de garantie de l'appareil peut se faire en ligne à l'adresse

www.guardiantechnologies.com. Nous considérons le processus d'enregistrement comme important afin d'assurer un service supérieur à notre clientèle. Cependant, l'envoi de cette carte de garantie est facultatif et n'affectera en rien vos droits de faire valoir cette garantie en accord avec les conditions susmentionnées. Pour faire valoir la présente garantie, l'appareil complet doit être envoyé en port payé à Guardian Technologies LLC. Veuillez fournir des informations exhaustives, notamment : spécifiez la nature du problème, le numéro de modèle, la date d'achat, et incluez vos nom, adresse et numéro de téléphone (courriel facultatif) ainsi qu'une copie du reçu de vente original. Retournez l'appareil à l'attention de : Customer Service, et à l'adresse indiquée ci-après. Posez vos questions ou faites part de vos commentaires au numéro sans frais indiqué ci-après.

Guardian Technologies LLC
26251 Bluestone Blvd.
Euclid, Ohio 44132
1.866.603.5900
www.guardiantechnologies.com

Des copies supplémentaires de ce manuel d'utilisation peuvent être obtenues sur notre site Internet puis imprimées, ou en appelant le service à la clientèle.

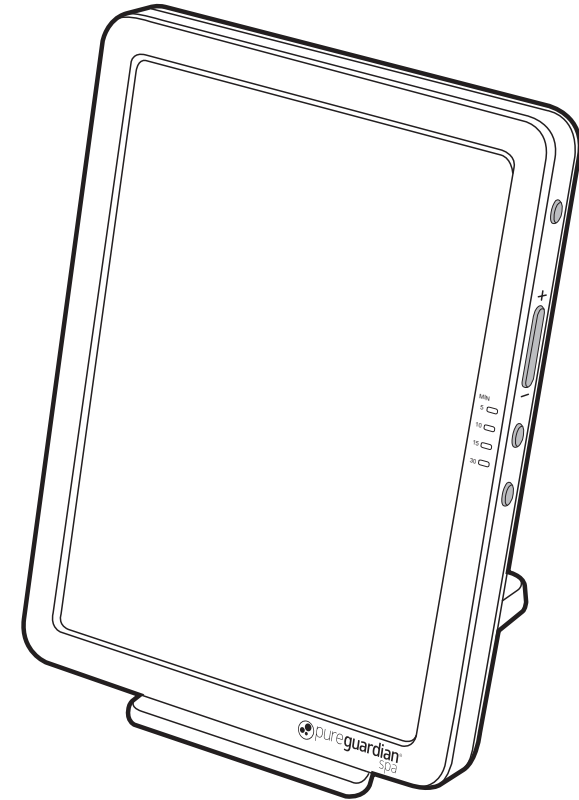


Guardian Technologies LLC
26251 Bluestone Blvd. • Euclid, OH 44132
1.866.603.5900 • www.guardiantechnologies.com

©2016 Guardian Technologies LLC



UTILISATION ET INSTRUCTIONS D'ENTRETIEN



Energy Light

Modèle n° SPA50

Garantie limitée de un (1) an.
www.guardiantechnologies.com
1.866.603.5900
REV1116

Anglais E - 1
Français F - 1
Espagnol S - 1

Date d'achat
mois _____
année _____

LISEZ ET CONSERVEZ CES INSTRUCTIONS AVERTISSEMENTS

Le non-respect des avertissements mentionnés ci-dessous peut provoquer une décharge électrique ou des blessures graves.



Ce produit doit être utilisé en conformité avec les directives indiquées dans le présent manuel. De graves blessures peuvent résulter d'un usage du produit autre que celui indiqué dans le présent manuel.

Avvertissements (un avertissement indique la possibilité de blessures à l'utilisateur ou à l'opérateur)

- L'eau et l'électricité sont une combinaison dangereuse. Ne pas utiliser cet appareil dans des environnements mouillés (p. ex., dans la salle de bain ou près d'une douche ou d'une piscine). Ne jamais immerger l'appareil dans l'eau ou dans un autre liquide.
- Le nettoyer seulement avec un chiffon doux et sec – Ne pas utiliser de solvants ou de nettoyants contenant des abrasifs ou de l'ammoniaque.
- S'assurer que la tension indiquée sur l'appareil correspond à la tension locale avant de brancher l'appareil.
- L'adaptateur contient un transformateur. Ne pas couper l'adaptateur pour le remplacer avec une autre fiche, car cela peut causer une situation dangereuse.
- Ne jamais utiliser l'adaptateur s'il est endommagé de quelque façon. Toujours remplacer l'adaptateur avec un modèle d'origine afin d'éviter un danger quelconque.
- Ne jamais ouvrir l'appareil pour prévenir les chocs électriques, les brûlures de doigts ou les points noirs temporaires dans l'œil.
- Si le cordon d'alimentation est endommagé, ne pas utiliser l'appareil.
- Une surveillance étroite est impérative lorsque l'appareil est utilisé par des enfants, à proximité d'enfants ou de personnes handicapées.
- Les enfants doivent être surveillés pour s'assurer qu'ils ne jouent pas avec l'appareil.
- L'appareil ne contient aucune pièce réparable. Aucune modification à cet appareil n'est permise.
- Ne jamais utiliser l'appareil si le bâti de la lampe ou l'écran protecteur est endommagé, brisé ou manquant.
- Ne pas utiliser l'appareil où la lumière peut vous nuire ou nuire à d'autres personnes à réaliser des tâches essentielles, comme conduire ou opérer de l'équipement lourd.
- Ne pas utiliser cet appareil en présence d'un mélange anesthésique inflammable avec de l'air, de l'oxygène ou de l'oxyde d'azote.
- Consulter votre médecin avant de commencer l'utilisation si :
 - Vous souffrez ou avez déjà souffert de dépression grave;
 - Vous avez un problème oculaire pour lequel notre médecin vous a conseillé d'éviter la lumière brillante;
 - Vous prenez des médicaments spécifiques (p. ex., certains antidépresseurs, médicaments psychotropiques ou comprimés contre le paludisme)

AVERTISSEMENT : Ce produit contient des produits chimiques connus à l'état de Californie pour causer le cancer et des malformations congénitales ou autres problèmes reproductifs. Lavez-vous les mains après toute utilisation. (Code de réglementation de la Californie - proposition 65)

LISEZ ET CONSERVEZ CES INSTRUCTIONS AVERTISSEMENTS

Mise en garde (une mise en garde indique la possibilité de dommages à l'appareil)

- Débrancher toujours l'appareil après utilisation.
- Ne pas utiliser l'appareil à l'extérieur ou près de surfaces chaudes ou de sources de chaleur.
- Placer l'appareil sur une surface stable, de niveau et non-glissante avec le pied en place.
- Ne pas placer des objets sur l'appareil, l'adaptateur ou le cordon.
- Lors du débranchement de l'appareil, saisir la fiche directement pour éviter d'endommager le cordon. Ne jamais tirer sur le cordon électrique pour enlever la fiche de la prise électrique.
- N'utiliser cet appareil qu'aux fins domestiques décrites dans ce manuel.
- Si cet appareil est endommagé de quelque façon ou s'il ne fonctionne pas, il ne doit pas être utilisé.

Ne pas utiliser ce dispositif dans les cas suivants :

- Vous souffrez de trouble bipolaire
 - Vous êtes hypersensible à la lumière ou avez une gêne oculaire
 - Vous avez eu tout récemment une chirurgie oculaire ou vous souffrez d'un problème oculaire pour lequel votre médecin vous a conseillé d'éviter la lumière brillante. Ou si vous avez des antécédents de maladie oculaire incluant, sans s'y limiter, aux cataractes ou à la dégénérescence maculaire.
 - Vous prenez des médicaments qui peuvent augmenter votre sensibilité à la lumière (p. ex., certains antidépresseurs, médicaments psychotropiques ou comprimés contre le paludisme)
- Si l'une des conditions ci-dessus s'applique à votre cas, consultez toujours votre médecin avant de commencer à utiliser le dispositif.

Réactions possibles

Les réactions adverses possibles à la lumière de ce dispositif sont relativement légères et de nature passagère.

Elles peuvent inclure : • Mal de tête • Fatigue visuelle • Nausée

Mesures à prendre pour éviter, minimiser ou soulager ces réactions adverses :

- Utiliser toujours le dispositif dans une pièce bien éclairée.
- Réduire l'intensité lumineuse si ces réactions se produisent.
- Arrêter d'utiliser le dispositif pendant quelques jours afin que les réactions disparaissent, puis réessayer.

Utilisation prévue

Le dispositif Energy Light de Guardian Technologies est conçu pour rendre les personnes plus énergétiques, ajuster le rythme circadien et fournir un soulagement de l'humeur causée par la dépression saisonnière.

Comment la lumière influence le corps

Plusieurs personnes souffrent d'une baisse d'énergie lors des mois d'hiver. La cause est le manque de lumière solaire reçue par la personne. Ces mêmes effets secondaires peuvent se vivre dans les environnements normaux d'une entreprise avec un éclairage faible. La lumière et son intensité stimulent les récepteurs dans nos yeux, qui peuvent avoir un impact sur notre humeur. Les lumières brillantes ont été utilisées avec succès pour apporter un soulagement des changements d'humeur saisonniers.

L'Energy Light est une alternative efficace pour compenser le manque de lumière dans la vie quotidienne. L'appareil émet une lumière brillante qui simule la lumière solaire sans les dangereux rayons UV.

Durée et intensité

L'Institut national de la santé a démontré que l'exposition à la lumière blanche dans la gamme des 2 500 à 10 000 lux ont aidé à inverser les symptômes de la dépression saisonnière. Le temps d'exposition varie d'une personne à l'autre. L'exposition typique est de 15 à 30 minutes, une ou deux fois par jour selon les besoins de l'individu et l'intensité et la couleur de la lumière choisies sur le dispositif de luminothérapie. La longueur moyenne d'une session d'illumination de 10 000 lux (lumière blanche/intensité élevée) peut être, par exemple, une durée beaucoup plus courte que pour une session de 2 500 lux (lumière bleue/intensité moyenne). Il est recommandé d'utiliser l'appareil sur une base régulière à une heure et à une distance constantes. L'utilisateur peut choisir entre les options d'intensité plus élevée (lumière blanche) ou d'intensité moindre (lumière bleue) selon sa préférence.

Quand utiliser l'appareil

Selon le moment où vous avez besoin d'une augmentation d'énergie, il peut être bénéfique d'utiliser l'appareil à différentes heures. De nombreuses personnes répondent mieux au traitement lorsqu'il s'agit de la première activité réalisée au réveil. D'autres, par contre, répondent mieux avec une session en soirée. Il est nécessaire de déterminer l'heure optimale de la journée selon chaque individu. Il est recommandé de ne pas utiliser l'appareil dans l'heure précédant le coucher.

SPÉCIFICATIONS DE L'APPAREIL ET PIÈCES

SPÉCIFICATIONS

NUMÉRO DE MODÈLE : SPA50

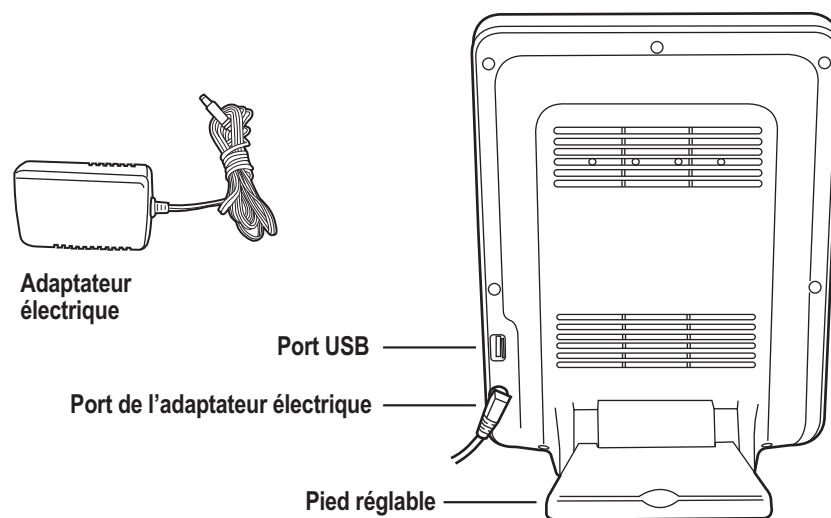
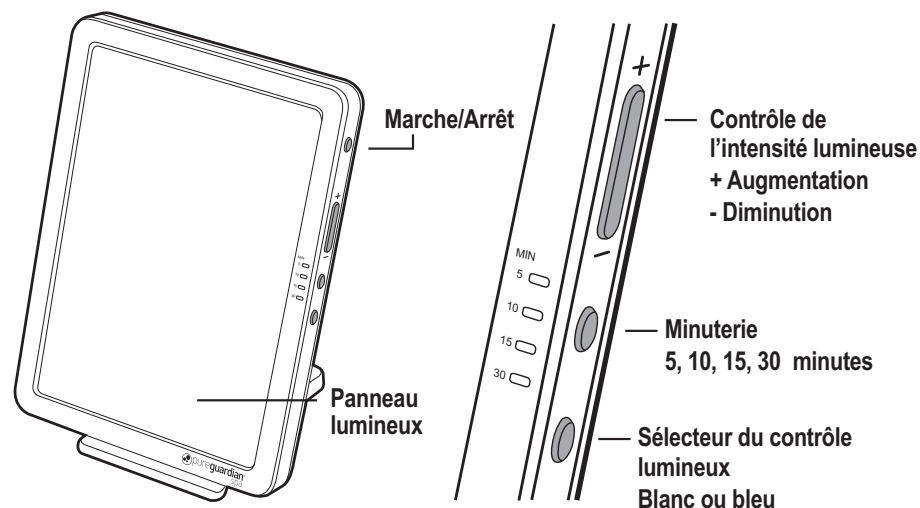
DIMENSIONS : 13,02 cm x 17,15 cm x 24,13 cm (5,125 po x 6,75 po x 9,5 po) (L x l x H)
(position de fonctionnement)

POIDS : Unité : 580,6 g (1,28 lb) Adaptateur : 158,8 g (0,35 lb)

TENSION D'ENTRÉE : 120 V 60 Hz 0,2 A

SORTIE USB : DC 5V MAX. 1,5 A

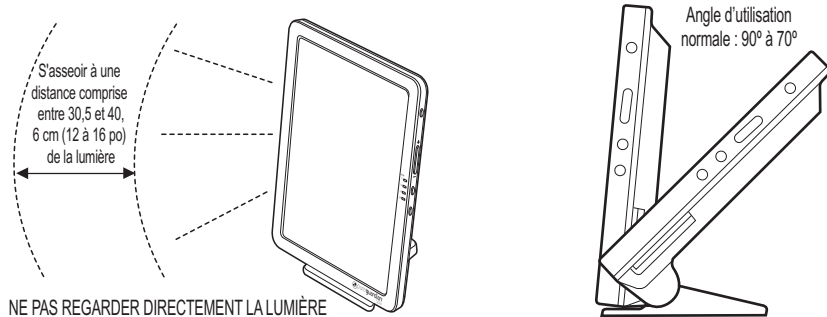
SORTIE LUMINEUSE : Lumière blanche à 100 % d'intensité : 10 000 lux à une distance de 17,8 cm (7 po)
Lumière bleue à 100 % d'intensité : 4 500 lux à une distance de 17,8 cm (7 po)



INSTRUCTIONS

INSTALLATION

1. Placer l'appareil sur une surface solide.
2. Insérer l'adaptateur électrique dans le port de l'appareil.
3. Insérer l'adaptateur électrique dans une prise électrique.
4. L'appareil doit être éloigné de 30,5 à 40,6 cm (12 à 16 po) de l'utilisateur. Régler le pied à un angle approximatif compris entre 90 et 70°.
5. Orienter la tête et le corps en direction de la lumière. Se concentrer sur des activités éclairées par la lumière (p. ex., lire, manger et utiliser l'ordinateur) et non sur la lumière en soi.
NE PAS REGARDER DIRECTEMENT LA LUMIÈRE DE L'APPAREIL.
Pour minimiser la fatigue visuelle, s'assurer que la pièce est bien éclairée.



EMPLOI

1. Mettre en marche l'appareil en appuyant sur le bouton Marche/Arrêt.
2. Choisir l'intensité lumineuse. L'appareil permet 3 niveaux d'intensité selon les préférences de l'utilisateur.
 - a. Appuyer sur « + » pour augmenter l'intensité.
 - a. Appuyer sur « - » pour diminuer l'intensité.
3. Choisir la durée de la session. Appuyer sur le bouton de contrôle « Minuterie » pour basculer entre 5, 10, 15 ou 30 minutes. L'appareil s'éteint automatiquement à la fin de la durée choisie. La durée par défaut est de 5 minutes si aucune option n'est choisie.
4. Choisir la couleur. Appuyer sur le bouton de contrôle « Blanc/bleu » et choisir selon ses préférences. Lumière blanche : 2 550 à 10 000 lux. La lumière bleue offre une gamme de 1 400 à 3 750 lux.
5. Un port USB est intégré pour plus de commodité afin de charger d'autres appareils lors de l'utilisation de l'Energy Light.

Nettoyage

Nettoyer seulement avec un chiffon doux et sec. Ne jamais utiliser des tampons à récurer, des liquides agressifs, ou des agents de nettoyage qui contiennent des produits abrasifs ou de l'ammoniaque. Ne jamais submerger l'appareil dans l'eau ou un autre liquide. Ne pas le rincer sous l'eau du robinet.

Entreposage

Si l'appareil ne va pas être utilisé pour une période de temps prolongée, retirer le cordon, plier la base et ranger l'appareil dans un endroit sécuritaire et sec où il ne sera pas endommager

Élimination

- Mettre aux rebuts l'appareil selon les réglementations locales.
- Les organismes de recyclage locaux ou nationaux peuvent également fournir de l'information sur l'élimination.

FAQ's

Question	Réponse
L'appareil peut-il provoquer des coups de soleil?	Non, cet appareil n'émet pas de lumière UV, il ne peut donc pas provoquer de coups de soleil.
Dois-je retirer mes lunettes si j'utilise l'appareil?	Non, les lunettes non fumées n'auront aucun impact sur l'efficacité de l'appareil.
Est-ce que la lumière peut nuire aux enfants ou aux animaux de compagnie?	Non, la lumière est sécuritaire en présence d'enfants et d'animaux de compagnie, mais ne laissez pas les enfants jouer avec l'appareil.
À quel moment vais-je commencer à remarquer des améliorations suite à l'utilisation de l'appareil?	Vous pourriez commencer à sentir les effets énergisants dès la première journée ou après 1 à 2 semaines d'utilisation quotidienne.
Est-il possible de remplacer la lampe de l'appareil?	Non, l'appareil utilise une lampe à DEL durable qui dure plusieurs années. La lampe n'est pas remplaçable.

Plus de FAQ se trouvent à www.guardiantechnologies.com

GUIDE DE DÉPANNAGE

PROBLÈME	SOLUTION
L'appareil ne fonctionne pas ou s'éteint à l'improviste.	Vérifier que le cordon électrique est branché dans l'appareil. Vérifier que le cordon électrique est branché à une prise de courant fonctionnelle. Vérifier que le bouton Marche/Arrêt est sur « Marche » . Vérifier que la minuterie n'a pas éteint l'appareil. Communiquer avec le Service à la clientèle au 1 866 603-5900.



Cet appareil est conforme avec la Partie 15 des règles de la FCC. L'opération est sujette aux deux conditions suivantes : (1) Ce dispositif peut ne pas causer d'interférences nuisibles, et (2) ce dispositif doit accepter toute interférence reçue, incluant celles pouvant causer un fonctionnement indésirable. Tout changement ou modification non expressément autorisée par les autorités responsables de la conformité peut entraîner la révocation du droit d'utilisation de ce produit.

REMARQUE : Cet équipement a été testé et déclaré conforme aux limites des appareils numériques de Classe B, selon la section 15 des règlements de la FCC (Federal Communication Commission). Ces limites sont conçues pour assurer une protection raisonnable contre un brouillage préjudiciable lorsque l'appareil est utilisé dans un milieu résidentiel. Cet équipement génère, utilise et peut émettre de l'énergie de radio-fréquence et, si non installé et utilisé selon les instructions, peut causer une interférence nuisible aux communications radio. Par contre, il n'y a aucune garantie que des interférences ne se produiront pas dans une installation en particulier. Si cet équipement provoque des interférences nuisibles à la réception radio ou télévision, comme cela peut se vérifier en éteignant puis en allumant l'appareil, l'utilisateur peut tenter de corriger ce type d'interférence en essayant une ou plusieurs des méthodes suivantes :

- Réorienter l'antenne réceptrice ou la placer à un autre endroit.
- Éloigner davantage l'appareil du récepteur.
- Brancher l'appareil sur une prise de courant d'un circuit électrique différent de celui auquel le récepteur est branché.
- Consulter le distributeur ou un technicien expérimenté en radio/TV pour obtenir de l'aide.

Cet appareil numérique de Classe B est conforme avec la norme canadienne ICES-003.

GARANTÍA LIMITADA

Para el consumidor, Guardian Technologies LLC garantiza que este producto se encuentra libre de defectos de materiales o mano de obra a partir de la fecha de compra original. Guarde el recibo de compra original para validar el inicio del período de garantía. La garantía no es válida sin el recibo correspondiente.

Si durante el período de garantía se encuentra que el producto es defectuoso, repararemos o reemplazaremos las piezas defectuosas sin ningún costo. Todas las reparaciones cubiertas por la garantía deben ser realizadas por Guardian Technologies LLC. Esta garantía **no cubre las reparaciones no autorizadas**. La garantía no cubre los problemas ocasionados por desgaste inusual, daños que resulten por un accidente o el uso no razonable del producto. Esta garantía sólo cubre el producto si se utiliza con accesorios genuinos de Guardian Technologies. En caso de que se utilicen o instalen piezas que no son genuinas, la garantía del producto no será válida. Esta garantía cubre el producto que se adquirió con un distribuidor autorizado. Esta garantía le otorga derechos legales específicos y usted pudiera tener otros derechos adicionales (los cuales varían en cada estado en los EE. UU.)

Puede completar el registro de la garantía en línea en

www.guardiantechnologies.com. Consideramos que el proceso de registro es importante para garantizar el servicio superior a nuestros clientes; sin embargo, el envío del comprobante de registro es opcional y no afecta sus derechos para utilizar la garantía de acuerdo a las condiciones estipuladas anteriormente. Para enviar el producto cubierto por la garantía, el aparato completo debe enviarse con porte pagado por anticipado a Guardian Technologies LLC. Incluya toda la información, incluso: la descripción del problema, el número de modelo del producto, la fecha de compra, una copia del recibo de compra original junto con su nombre dirección y número de teléfono (puede incluir su dirección de correo electrónico de manera opcional.) Dirija las devoluciones a la atención de: Departamento de servicio al cliente, a la dirección que se indica a continuación. Si tiene preguntas o comentarios llame sin costo al número de teléfono que aparece abajo.

Guardian Technologies LLC
26251 Bluestone Blvd.
Euclid, Ohio 44132
1.866.603.5900
www.guardiantechnologies.com

Se pueden obtener copias adicionales accediéndolas e imprimiéndolas directamente en nuestro sitio web o llamando al departamento de servicio al cliente.

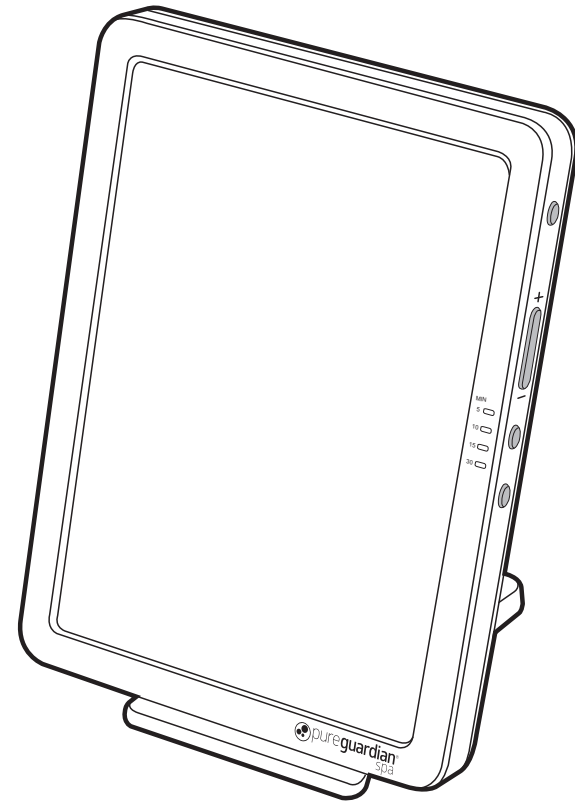


Guardian Technologies LLC
26251 Bluestone Blvd. • Euclid, OH 44132
1.866.603.5900 • www.guardiantechnologies.com

©2016 Guardian Technologies LLC



INSTRUCCIONES DE USO Y CUIDADO



Luz energética

Modelo SPA50

Garantía limitada por 1 año

www.guardiantechnologies.com

1.866.603.5900

REV1116

Inglés E - 1

Frances F - 1

Español S - 1

Fecha de compra

mes _____

año _____

LEAYGUARDE ESTAS INSTRUCCIONES ADVERTENCIAS

El no cumplir las advertencias que se enumeran a continuación puede provocar un choque eléctrico o lesiones severas.



Debe usarse este producto sólo de acuerdo a las especificaciones descritas en este manual. Usarlo de una manera diferente a lo indicado puede ocasionar lesiones severas.

Advertencias (una advertencia indica la posibilidad de lesión al usuario o al operador)

- El agua y la electricidad son una combinación peligrosa. No use este dispositivo en ambientes húmedos (p. ej. en el baño o cerca de una ducha o una piscina). Nunca sumerja la unidad en agua o en otro líquido.
- Limpie solo con un paño suave y seco – No use solventes o limpiadores que contienen abrasivos o amoníaco.
- Compruebe si la tensión indicada en el dispositivo corresponde a la tensión local antes de conectar el dispositivo.
- El adaptador contiene un transformador. No desconecte el adaptador para reemplazarlo con otro enchufe, dado que esto causa una situación peligrosa.
- Nunca use el adaptador si está dañado de algún modo. Siempre reemplace el adaptador por otro original a fin de evitar daños.
- Nunca abra el dispositivo; de esta manera, evitará descargas eléctricas, quemaduras de dedos o puntos negros temporales en los ojos.
- Si el cable de alimentación está dañado, no use el dispositivo.
- Preste especial atención cuando un niño o una persona discapacitada usa el dispositivo, o incluso si está cerca del mismo.
- Es necesario supervisar a los niños para asegurarse de que no jueguen con el dispositivo.
- El interior del dispositivo no contiene piezas que requieren mantenimiento. No se permite ninguna modificación a este dispositivo.
- Nunca use el dispositivo si la carcasa o la cubierta de la lámpara está dañada, rota o no está colocada.
- No use el dispositivo en lugares donde la luz pueda comprometer su capacidad o la de otras personas para realizar tareas esenciales, como manejar u operar equipos pesados.
- No use este dispositivo en presencia de una combinación anestésica inflamable con aire, oxígeno u óxido nítrico.
- Consulte a su médico antes de comenzar a usarlo si:
 - Padece o ha padecido depresión severa;
 - Padece una afección en la vista por la cual el médico le aconsejó que evitara la luz brillante;
 - Está tomando una medicación específica (p. ej., determinados antidepresivos, psicotrpicos o pastillas contra la malaria)

ADVERTENCIA: Este producto contiene sustancias químicas que el estado de California causan cáncer y defectos congénitos u otros daños reproductivos. Lávese las manos después de usarlo. (Código de reglamentos de California Proposición 65)

LEAYGUARDE ESTAS INSTRUCCIONES ADVERTENCIAS

Precaución (una precaución indica la posibilidad de daño al dispositivo)

- Siempre desconecte el dispositivo después de usarlo.
- No use el dispositivo al aire libre o cerca de superficies calientes o fuentes de calor.
- Coloque el dispositivo sobre una superficie estable, plana y que no sea resbalosa y ubique el pie del aparato en su lugar.
- No coloque ningún objeto sobre el dispositivo, el adaptador o el cable.
- Al desconectar el dispositivo, tome el enchufe directamente para evitar que se dañe el cable. Nunca tire del cable de alimentación para retirar el enchufe de la toma de corriente.
- Use este dispositivo únicamente para el uso doméstico previsto, como se describe en este manual.
- Si este dispositivo está dañado de algún modo o si no está funcionando, no debe ser utilizado.

No use este dispositivo si:

- Padece un desorden bipolar
- Tiene hipersensibilidad a la luz y/o experimenta una molestia en la vista
- Recientemente se ha sometido a una cirugía ocular o se le ha diagnosticado una afección en la vista por la cual el médico le aconsejó evitar la luz brillante. O bien, si tiene antecedentes de afecciones en la vista entre las que se incluyen, pero no exclusivamente, cataratas o degeneración macular.
- Si está usando algún medicamento que podría aumentar su sensibilidad a la luz (p. ej., determinados antidepresivos, psicotrpicos o pastillas contra la malaria)

Si alguna de las situaciones anteriores aplican en su caso, consulte a su médico antes de comenzar a usar el dispositivo.

Reacciones posibles

Las posibles reacciones adversas a la luz provocadas por este dispositivo son relativamente leves y pasajeras.

Entre estas reacciones se incluyen: • Dolor de cabeza • Vista cansada • Náuseas

Medidas para evitar, minimizar o aliviar estas reacciones adversas:

- Siempre use el dispositivo en una habitación bien iluminada.
- En caso de que aparezcan estas reacciones, reduzca la intensidad de la luz.
- Deje de usar el dispositivo durante unos días para hacer que estas reacciones desaparezcan y vuelva a intentarlo.

Uso previsto

La Luz energética de Guardian Technologies está diseñada para hacer que las personas sientan más energía, ajusten su ritmo cíclico y, además, que tengan un alivio anímico en la depresión invernal.

Influencia de la luz en el cuerpo

Muchas personas sienten una disminución notable de energía durante los meses de invierno, esto se debe a la falta de luz solar que experimentan. Estos mismos efectos secundarios pueden experimentarse en entornos comerciales que tienen poca iluminación. La luz y su intensidad estimulan a los receptores de nuestra vista, y esto puede afectar el modo en que nos sentimos. Las luces brillantes han sido utilizadas satisfactoriamente para brindar alivio a las variaciones anímicas estacionales.

La luz energética es una alternativa eficaz para compensar la falta de luz que se puede experimentar en la vida diaria. El dispositivo emite luz brillante para simular la luz del sol natural sin los dañinos rayos UV.

Duración e intensidad

El Instituto Nacional de Salud ha demostrado que la exposición a la luz blanca en un rango de 2 500 a 10 000 LUX ha ayudado a revertir los síntomas de "Depresión invernal".

El tiempo de exposición variará según la persona. La exposición típica es de 15 a 30 minutos, una o dos veces al día, según las necesidades individuales y la intensidad y la luz de color seleccionada en la terapia con luz. La duración promedio de una sesión de 10 000 lux de iluminación (luz blanca/intensidad elevada) puede ser, por ejemplo, de un tiempo mucho más breve que 2 500 lux (luz azul, intensidad media). Se recomienda usar el dispositivo regularmente a una distancia y un tiempo uniformes. El usuario puede seleccionar entre las opciones de luz blanca con intensidad más elevada y luz azul con baja intensidad, según su preferencia.

Cuándo usarlo

Según la necesidad del impulso de energía, su uso puede resultar beneficioso en diferentes momentos. Muchas personas responden mejor a todos los tratamientos a primera hora de la mañana. Algunos, sin embargo, reaccionan mejor a la luz durante la noche. Es necesario determinar el momento óptimo del día para cada individuo. Se recomienda no usar la luz una hora antes de acostarse.

ESPECIFICACIONES Y PARTES DEL PRODUCTO

ESPECIFICACIONES

NÚMERO DE MODELO: SPA50

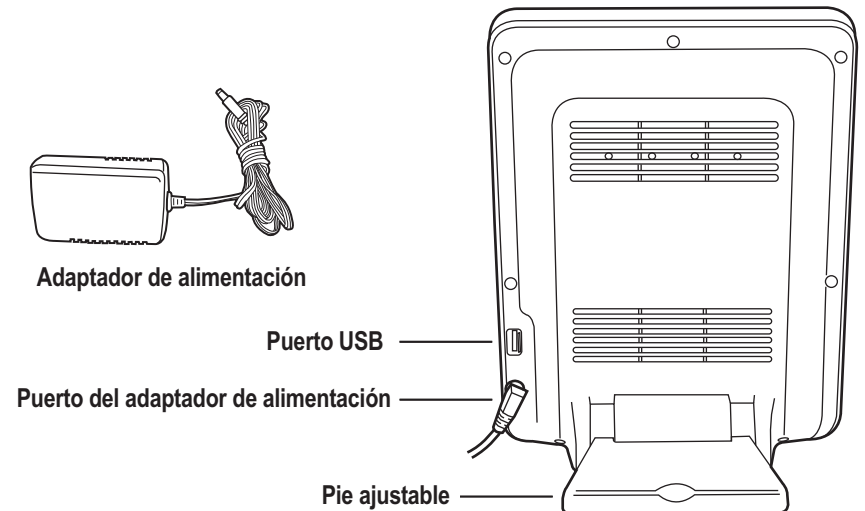
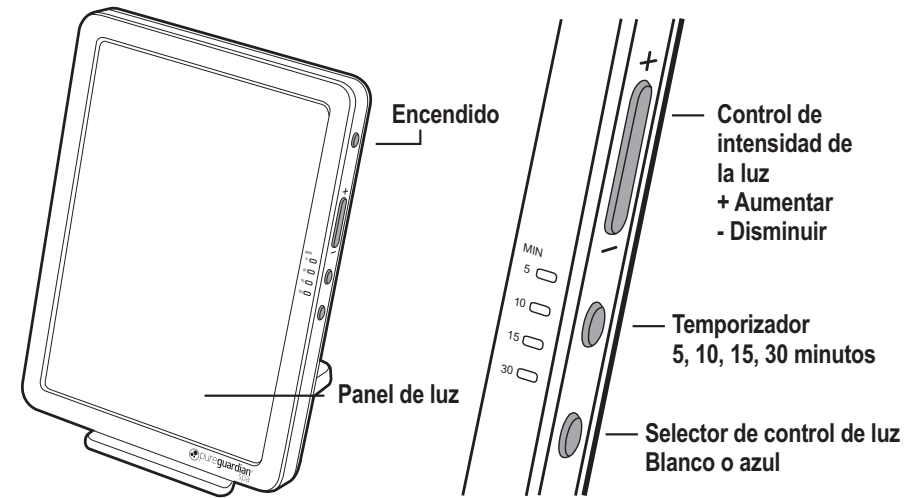
DIMENSIONES: 13 cm Largo x 17 cm Ancho x 24 cm Alto (5.125 pulg. x 6.75 pulg. x 9.5 pulg. (posición de trabajo)

PESO: Unidad - 580 gramos (1.28 libras) Adaptador - 150 gramos (0.35 libras)

VOLTAJE DE ENTRADA: 120 V 60 Hz 0.2A

PRODUCCIÓN USB: DC 5V MAX. 1.5A

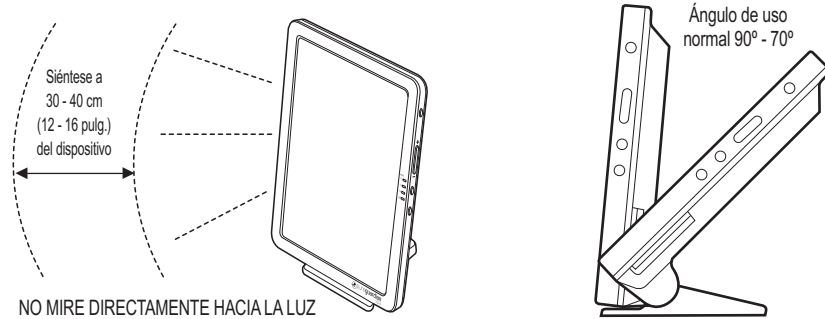
PRODUCCIÓN LUMÍNICA: Intensidad 100 % luz blanca: 10 000 LUX a los 18 cm (7") de distancia
Intensidad 100 % luz azul: 4 500 LUX a los 18 cm (7") de distancia



INSTRUCCIONES

CONFIGURACIÓN

1. Coloque el dispositivo sobre una superficie sólida.
2. Inserte el adaptador de alimentación en el puerto del dispositivo.
3. Inserte el adaptador de corriente en una toma de corriente.
4. El dispositivo debe estar retirado a una distancia de entre 30 y 40 cm (12-16 pulg.) del dispositivo. Ajuste el pie a un ángulo entre 90 y 70 grados, aproximadamente.
5. Oriente la cabeza y el cuerpo hacia la luz. Concéntrese en las actividades iluminadas por las luces (p. ej. lectura, comida, y trabajo en la computadora) y no en la luz en sí.
NO MIRE DIRECTAMENTE LA LUZ DEL DISPOSITIVO.
Para minimizar el cansancio de la vista, asegúrese de que la habitación esté bien iluminada.



USO

1. Presione el control de encendido para prender el dispositivo.
2. Seleccione la intensidad del brillo. Existen 3 niveles de intensidad, según su preferencia.
 - a. Presione "+" para aumentar la intensidad.
 - a. Presione "-" para disminuir la intensidad.
3. Seleccione la duración de la sesión. Pulse el botón de control "Timer" (Temporizador) para alternar entre 5, 10, 15 o 30 minutos. Automáticamente, el dispositivo se apagará a la hora seleccionada. Si no se selecciona otro período, el tiempo predeterminado es de 5 minutos.
4. Seleccione el color. Pulse el botón de control "Blanco/Azul" y seleccione conforme a su preferencia. Blanco de 2 550 a 10 000 lux. El matiz azul brinda un rango de 1 400 a 3 750 lux.
5. El dispositivo cuenta con un práctico puerto USB para cargar otros dispositivos mientras usa la luz energética.

Limpieza

Clean only with a soft dry-cloth. Never use scouring pads, aggressive liquids, or cleaning agents de limpieza que contengan abrasivos o amoníaco.

Nunca sumerja el dispositivo en agua o cualquier otro líquido, ni lo enjuague debajo del grifo

Almacenamiento

Si el dispositivo no se usará por un período prolongado, extraiga el cable, pliegue la base y almacénelo en un lugar seguro y seco, donde no pueda dañarse.

Eliminación

- Deseche el dispositivo según lo dispuesto por las reglamentaciones locales.
- Es posible que las organizaciones de reciclado locales o nacionales también tengan información sobre cómo desecharlo.

Preguntas frecuentes

Pregunta	Respuesta
¿Puedo broncearme al usar el dispositivo?	No, este dispositivo no emite luz UV; por lo tanto, no se bronceará.
¿Debo quitarme los anteojos cuando uso el dispositivo?	No, los anteojos que no tienen color no influirán en la eficacia del dispositivo.
¿Esta luz puede dañar a niños y mascotas?	No, la luz es segura para los niños y las mascotas que están cerca, pero no permita que los niños jueguen con el dispositivo.
¿Cuándo comenzaré a percibir mejoras a partir del uso del dispositivo?	Es posible que experimente efectos energizantes desde el primer día o en la primera o segunda semana de uso diario.
¿Es posible reemplazar la lámpara de la luz?	No, el dispositivo usa una lámpara LED duradera que perdura muchos años y no puede reemplazarse.

Podrá encontrar más Preguntas frecuentes en www.guardiantechnologies.com

GUÍA DE SOLUCIÓN DE PROBLEMAS

PROBLEMA	SOLUCIÓN
La unidad no funciona o se apaga de manera inesperada.	Verifique que el cable de alimentación esté conectado a la unidad. Verifique que el cable de alimentación esté conectado a una toma de corriente que funcione. Verifique que el botón de encendido esté activo. Verifique que el temporizador no haya apagado la unidad. Llame a Servicio al Cliente al 1.866.603.5900.



Este dispositivo cumple con la sección 15 del Reglamento del FCC. La operación está sujeta a las siguientes dos condiciones: (1) este dispositivo podría no causar interferencia dañina, y (2) este dispositivo debe aceptar cualquier interferencia recibida, incluidas las interferencias que pueden ocasionar un funcionamiento no deseado. Los cambios o las modificaciones que no sean expresamente aprobadas por la parte responsable del cumplimiento podrían anular la autoridad del usuario para operar este equipo.

NOTA: Este equipo ha sido sometido a pruebas y ha demostrado cumplir con los límites para los dispositivos digitales Clase B, de acuerdo a la Parte 15 de los reglamentos de la Comisión Federal de Comunicaciones (FCC). Estos límites han sido establecidos para ofrecer protección razonable contra la interferencia dañina en instalaciones residenciales. Este equipo genera, usa y puede radiar energía de radiofrecuencia y si no se instala y usa de acuerdo a las instrucciones, puede provocar interferencia dañina en las comunicaciones por radio. Sin embargo, no garantizamos que esta interferencia no se produzca en una instalación determinada. Si este equipo causa interferencia dañina a la recepción de radio o televisión, lo cual puede determinarse al apagar y encender nuevamente el equipo, se recomienda que el usuario intente corregir esta interferencia siguiendo uno o varios de los procedimientos siguientes:

- Reorientar o reubicar la antena de recepción.
- Incrementar la distancia entre el equipo y el dispositivo receptor.
- Conectar el equipo a un tomacorriente en un circuito eléctrico diferente al que está conectado al dispositivo receptor.
- Consultar al concesionario o a un técnico de radio/TV experto para recibir ayuda.

Este dispositivo digital de Clase B cumple con las normativas canadienses ICES-003.